

# STRAPS

Saddle straps



## Applications

These straps are used to install any of the Torre<sup>®</sup> system tees:

- CEDEC branch tees
- GOLF PLUS branch tees
- GOLF SIMPLE branch tees
- GIGA flanged tees
- PREMIUM SIMPLE AND PLUS branch tees
- BTF launching tees
- CPE branch accessories

Torre<sup>®</sup> straps can be installed on pipes with outer diameters from 70 up to 355 mm. A special strap is also manufactured for 63 mm diameter PE pipes.

## Highest corrosion resistance

Torre<sup>®</sup> straps incorporate welding free manufacturing technique to avoid inter-granular corrosion. To prevent galvanic corrosion, straps are supplied in a rubber rim to provide full isolation from the pipes.

## Convenient installation

Torre<sup>®</sup> straps bend smoothly around the pipe on which they are to be installed. Positioning of the screw makes it possible to install saddles easily in any position.

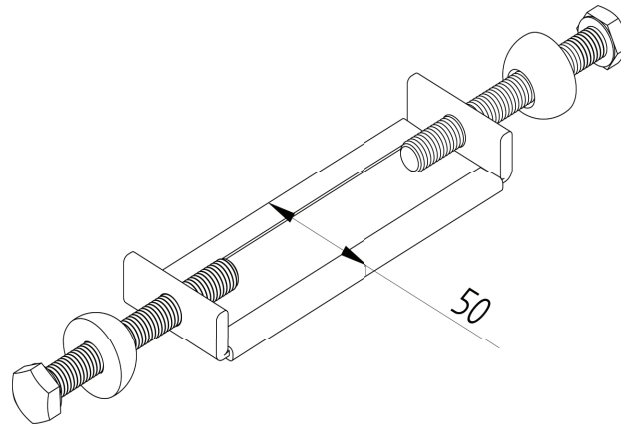
## Storage advantages

The packaging system used for the straps makes for highly compact storage. Torre<sup>®</sup> straps are supplied flat, in labelled boxes to make handling and identification easier. Each box comes with a brochure including detailed assembly instructions.

# STRAPS

Saddle straps

## Technical data



## STRAPS

### SIZES, REFERENCES AND APPLICATION RANGE

SIZE	REFERENCE	ØD min.	ØD max.	UTS. / BOX
60	2330 C 060	70	90	5
80	2330 C 080	90	110	5
100	2330 C 100	110	130	5
125	2330 C 125	130	150	5
150	2330 C 150	160	180	5
175	2330 C 175	190	210	5
200	2330 C 200	220	240	5
225	2330 C 225	250	270	5
250	2330 C 250	270	290	5
300	2330 C 300	315	335	5
300L	2330 C 300L	335	355	5

### COMPONENTS

### MATERIALS

ROTULA	Acetal Resin POM
SCREW	AISI304, Stainless Steel (EN 10088)
STRAP	AISI304, Stainless Steel (EN 10088)
RIM	NBR, Rubber