

PREMIUM SIMPLE AND PLUS

Threaded simple and under charge branch tee

REFERENCE SPECIFICATIONS

Grid	Water
Highest operating pressure	16 bar
Pipe material	Steel, Asbestos cement, Ductile iron, PE and PVC-O
Pipe outer diameter	70 to 355 mm
Outlet size	Female thread GAS 1" and 1½"



Applications

Threaded coupling branch tees for under pressure branching to be installed on steel, asbestos cement and ductile iron pipes for pressure up to 16 bar in water. These are also used with excellent results on polyethylene and PVC-O pipe networks.

Drinking water certified

Torre® saddles are equipped with EPDM joints certified for use with drinking water under WRAS: "Water Regulations Advisory Scheme" and under ACS: "Attestation de Conformité Sanitaire".

Highest corrosion resistance

The whole branch tee results electrically insulated, consequent to the component materials, thus avoiding galvanic corrosion. Moreover, flowing water is not in contact with cast iron body. Straps incorporate welding free manufacturing technique to avoid inter-granular corrosion.

Spatula shut off

To carry out the under pressure connection operation the water flow is interrupted by means of inserting the stainless steel spatula supplied with the Golf equipment.

Convenient installation

Compact design of Torre® drilling tool, strap anchoring system and one open rotula housings enable to install Premium branch tees in restricted access in any vertical, horizontal or inclined position.

Capping off service connections

Unscrewing the locking ring and inserting the stainless steel spatula, allows repair work to be carried out on the service connection network or the tapping can be capped off by means of inserting a threaded plug.

Storage advantages

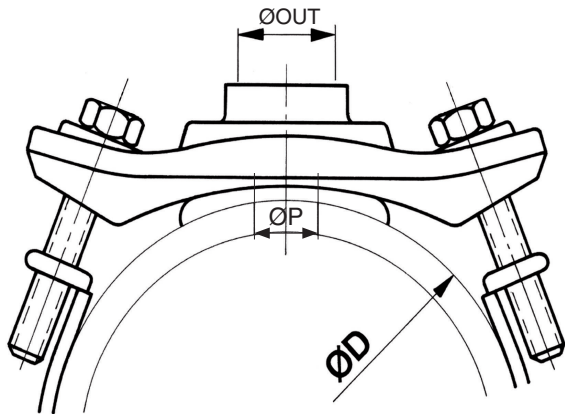
Saddles and straps alike are supplied in labelled boxes to make handling, storage and identification easier. Each box comes with a brochure including detailed assembly instructions.

PREMIUM SIMPLE AND PLUS

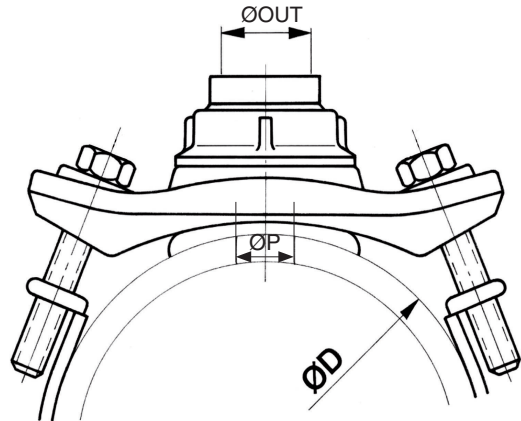
Threaded simple and under charge branch tee

Technical data

PREMIUM SIMPLE



PREMIUM PLUS



PREMIUM SIMPLE BRANCH TEES

OUTLETS, REFERENCES AND APPLICATION RANGE

ØOUT	ØP	REFERENCE	ØD min	ØD max	UTS. / BOX
1"	24	2360 S 2A	70	355	15
1½"	38	2360 S 4A	90	355	10

PREMIUM PLUS BRANCH TEES

OUTLETS, REFERENCES AND APPLICATION RANGE

ØOUT	ØP	REFERENCE	ØD min	ØD max	UTS. / BOX
1"	24	2365 S 2A	70	355	10

COMPONENTS MATERIALS

O-RINGS	NBR, Rubber (EN 549)
NUT	Brass CW617N (EN 12165)
BODY	Brass CW617N (EN 12165)
SADDLE	Ductile Iron GJS-450-10 + + Rilsan (EN 1563)
SEAL	EPDM, Rubber (EN 681-1)

STRAPS

SIZES, REFERENCES AND APPLICATION RANGE

SIZE	REFERENCE	ØD min.	ØD max.	UTS. / BOX
60	2330 C 060	70	90	5
80	2330 C 080	90	110	5
100	2330 C 100	110	130	5
125	2330 C 125	130	150	5
150	2330 C 150	160	180	5
175	2330 C 175	190	210	5
200	2330 C 200	220	240	5
225	2330 C 225	250	270	5
250	2330 C 250	270	290	5
300	2330 C 300	315	335	5
300L	2330 C 300L	335	355	5

COMPONENTS MATERIALS

ROTULA	Acetal Resin POM
SCREW	AISI304, Stainless Steel (EN 10088)
STRAP	AISI304, Stainless Steel (EN 10088)
RIM	NBR, Rubber