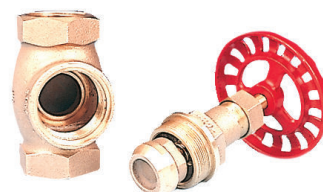


---

# GLOBE VALVES



## Description

Globe valves with body and bonnet in bronze Rg5. Bonnet threaded to the body without joint (metal seat).

## Sizes

Manufactured sizes are ½, ¾, 1, 1¼, 1½ and 2 inches.

## Versions and references

Different standard seat systems for each valve type:

a) Bronze disc and integrated seat:

Threaded ends: Ref. 335 D Bronze

Flanges ends: Ref. 336 D Bronze

b) Seat and disc in treated stainless steel:

Threaded ends: Ref. 335 D Inox.

Flanges ends: Ref. 336 D Inox.

c) PTFE disc and integrated seat:

Threaded ends: Ref. 335 D T

Flanges ends: Ref. 336 D T

## Applications

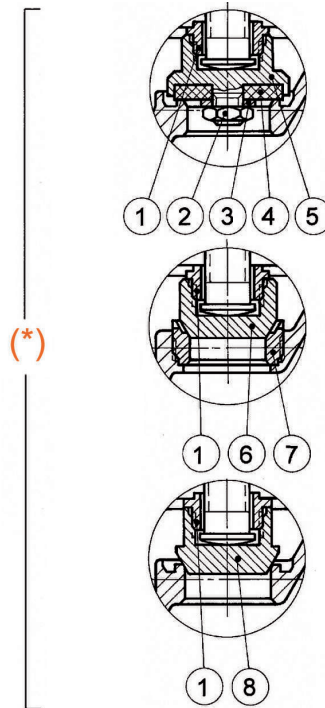
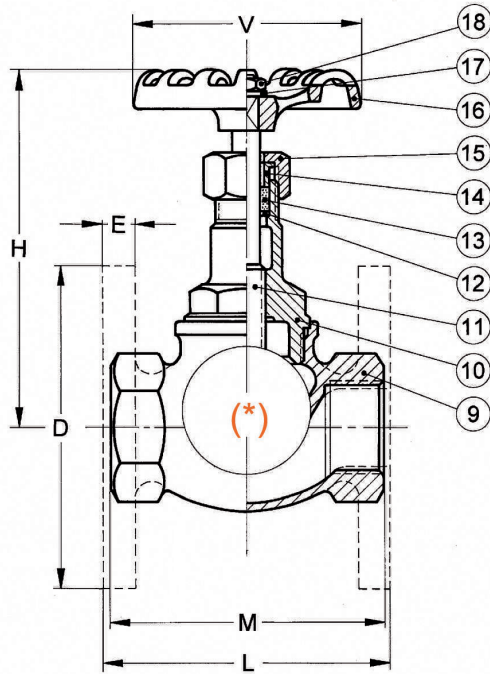
To regulate the flow of a wide variety of fluids: water, air, steam, petroleum derivatives, etc., for pressure up to 30 bar.

## Manufactured upon request

These valves are only manufactured in limited series and upon request.

# GLOBE VALVES

## Technical data



### GLOBE VALVES

#### COMPONENTS AND MATERIALS

Nº	COMPONENTS	MATERIALS
1	LOCK NUT	Rg5, Bronze
2	DISC NUT	Brass CW614N (EN 12164)
3	DISC WASHER	Brass CW614N (EN 12164)
4	DISC	PTFE
5	DISC HOLDER	Brass CW614N (EN 12164)
6	STAINLESS STEEL VALVE	AISI431, Treated Stainless Steel
7	STAINLESS STEEL SEAT	AISI431, Treated Stainless Steel
8	BRONZE VALVE	Rg5, Bronze
9	BODY	Rg5, Bronze
10	BONNET	Rg5, Bronze
11	STEM (from ½" to 1")	AISI303, Stainless Steel
11	STEM (from 1¼" to 2")	Rg5, Bronze
12	PACKING WASHER	Rg5, Bronze
13	PACKING	Pure PTFE
14	GLAND	Rg5, Bronze
15	PACKING NUT	Rg5, Bronze
16	HANDWHEEL	Aluminium
17	HANDWHEEL WASHER	Brass CW614N (EN 12164)
18	HANDWHEEL NUT	Brass CW614N (EN 12164)

### THREADED VALVES - REF.335 D

#### SIZES, RANGES AND WEIGHTS

SIZE	H open	H closed	M	V	Kg
½"	111	105	67	60	0,600
¾"	123	113	80	60	0,860
1"	141	130	95	80	1,300
1¼"	160	149	112	100	2,080
1½"	163	149	132	100	2,860
2"	206	184	160	120	4,650

### FLANGED VALVES - REF.336

#### SIZES, RANGES AND WEIGHTS

SIZE	D-DIN	E	H open	H closed	M	V	Kg
DN 15	95	10	111	105	80	60	1,580
DN 20	105	11	123	113	90	60	2,180
DN 25	115	11	141	130	100	80	2,930
DN 32	140	13	160	149	110	100	4,810
DN 40	150	13	163	149	130	100	5,760
DN 50	165	15	206	184	150	120	8,740