

# GLOBE VALVES with secured bonnet



## Description

Globe valves with body and bonnet in bronze Rg5. Bonnet threaded to the body without joint and with safety nut against vibrations.

## Sizes

Manufactured sizes are  $\frac{1}{2}$ ,  $\frac{3}{4}$ , 1,  $1\frac{1}{4}$ ,  $1\frac{1}{2}$  and 2 inches.

## Versions and references

Different standard seat systems for each valve type:

a) Bronze disc and integrated seat:

Threaded ends: Ref. 335 D Bronze  
Flanged ends: Ref. 336 D Bronze

b) Seat and disc in treated stainless steel:

Threaded ends: Ref. 335 SB SS  
Flanged ends: Ref. 336 SB SS

c) PTFE disc and integrated seat:

Threaded ends: Ref. 335 SB T  
Flanged ends: Ref. 336 SB T

## Applications

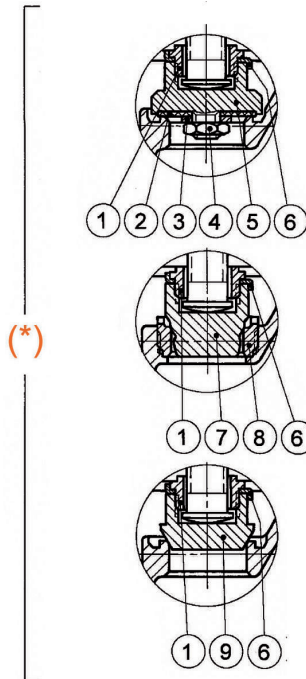
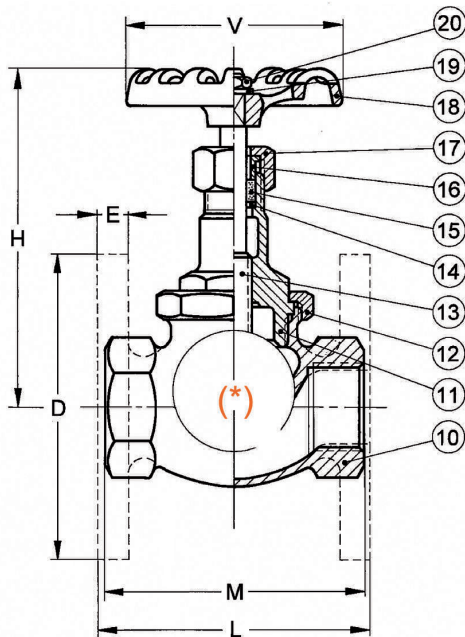
Designed for use in installations subject to vibrations, specifically in the shipbuilding industry. These valves are used to regulate flow of a wide variety of fluids: water, air, steam, petroleum derivatives, etc., for pressure up to 30 bar.

## Manufactured upon request

These valves are only manufactured in limited series and upon request.

# GLOBE VALVES with secured bonnet

## Technical data



### “SB” GLOBE VALVES

#### COMPONENTS AND MATERIALS

Nº	COMPONENTS	MATERIALS
1	LOCK NUT	Rg5, Bronze
2	DISC	PTFE with Graphite Charge
3	DISC WASHER	Rg5, Bronze
4	DISC NUT	Rg5, Bronze
5	DISC HOLDER	Rg5, Bronze
6	LOCKING WASHER	Copper
7	STAINLESS STEEL VALVE	AISI431, Treated Stainless Steel
8	STAINLESS STEEL SEAT	AISI431, Treated Stainless Steel
9	BRONZE VALVE	Rg5, Bronze
10	BODY	Rg5, Bronze
11	BONNET	Rg5, Bronze
12	SECURITY NUT	Rg5, Bronze
13	STEM (from ½" to 1")	AISI303, Treated Stainless Steel
13	STEM (from 1¼" to 2")	Rg5, Bronze
14	PACKING WASHER	Rg5, Bronze
15	PACKING	Pure PTFE
16	GLAND	Rg5, Bronze
17	PACKING NUT	Rg5, Bronze
18	HANDWHEEL	Aluminium
19	HANDWHEEL WASHER	Brass CW614N (EN 12164)
20	HANDWHEEL NUT	Brass CW614N (EN 12164)

### THREADED VALVES - REF.335 SB

#### SIZES, RANGES AND WEIGHTS

SIZE	H open	H closed	M	V	Kg
½"	111	105	67	60	0,600
¾"	123	113	80	60	0,860
1"	141	130	95	80	1,300
1¼"	160	149	112	100	2,080
1½"	163	149	132	100	2,860
2"	206	184	160	120	4,650

### FLANGED VALVES - REF.336 SB

#### SIZES, RANGES AND WEIGHTS

SIZE	D-DIN	E	H open	H closed	M	V	Kg
DN 15	95	10	111	105	80	60	1,580
DN 20	105	11	123	113	90	60	2,180
DN 25	115	11	141	130	100	80	2,930
DN 32	140	13	160	149	110	100	4,810
DN 40	150	13	163	149	130	100	5,760
DN 50	165	15	206	184	150	120	8,740