

REFERENCE SPECIFICATIONS

Grid	Gas
Highest operating pressure	1 bar
Pipe material	Steel, Asbestos cement and Ductile iron
Outer pipe diameter	110 to 335 mm
Outlet pipe material	PE100 SDR17,6
Outlet size	63 mm



Applications

Branch accessories are intended for branching from steel, asbestos cement and ductile iron pipes into PE pipes without gas leaks. It is used for service lines, grid branching and “by-pass” operations.

Advantages

Using Torre[®] branch accessories has noticeable advantages:

- Under pressure operations with highest safety.
- Shortened operation time.
- Installing in difficult access places and in every position.
- Easy service lines cancellation.
- Small storage space required: straps are delivered before bending.

Sizes

Branch accessories are designed for outlet PE pipe 63 mm (SDR 17,6 and SDR 11 - on request) and for steel, asbestos cement and ductile iron pipes with outer diameters from 110 to 335 mm.

Installation

Branch accessories are installed using Drilling Equipment (EP16) specifically designed by Grupo Torre. Equipment includes a fixed torque wrench allowing for proper connector/pipe tightening.

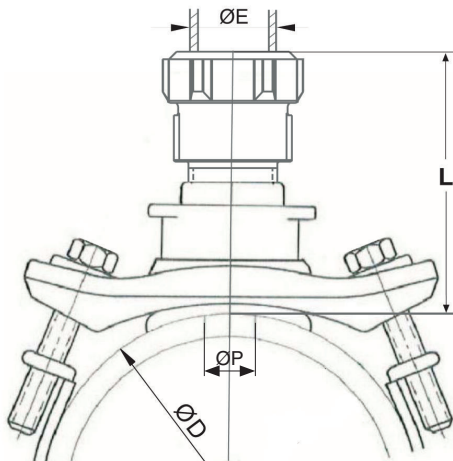
Highest tightness

Besides inner seal, Torre[®] branch accessories have double o-rings and an external fitting that ensure highest tightness in under pressure branching operations.

Standards

This system fully complies with ES.03048.ES-CN “Under charge branch collar for rigid pipes ≤ 0.4 bar” following GNF.

Technical data



BRANCH ACCESSORIES

SIZES, REFERENCES AND APPLICATION RANGE

REFERENCE	L	ØE	ØP	ØD min.	ØD max.
CPE100	152	63	43	110	130
CPE150	152	63	43	160	180
CPE200	152	63	43	220	240
CPE250	152	63	43	270	290
CPE300	152	63	43	315	335

COMPONENTS

MATERIALS

SADDLE	Ductile Iron GJS-450-10 + Epoxi (EN 1563)
SLEEVE	PPO + Glass Fiber (NORYL)
SEAL	NBR, Rubber (EN 682)
SCREW	AISI304, Stainless Steel
RIM	NBR ,Rubber (EN 682)
STRAP	AISI304, Stainless Steel
ROTULA	Acetal Resin POM
ADAPTER	Ductile Iron (EN 1563)