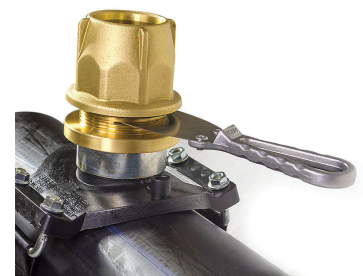


CEDEC PE Under pressure direct coupling branch tee for PE pipe

REFERENCE SPECIFICATIONS

Grid	Water
Highest operating pressure	16 bar
Pipe material	PE
Pipe outer diameter	110, 160 and 225 mm
Outlet pipe material	PE
Outlet outer diameter	25, 32, 40 and 50 mm



Applications

Tees with exclusive connection system for installing PE service branching under pressure on polyethylene pipes for pressure up to 16 bar in water.

Connection type

At the top of the electrofusion Cedec branch tees there is a connection for PE pipes. The lower part can be welded by means of electrofusion to any type of polyethylene pipe with a maximum SDR11 thickness.

Drinking water certificated

Torre® saddles are equipped with EPDM joints certified for use with drinking water under WRAS: "Water Regulations Advisory Scheme" and under ACS: "Attestation de Conformité Sanitaire".

Spatula shut off

To carry out the under pressure connection operation, water flow is interrupted by insertion of a stainless steel spatula supplied with each Cedec equipment.

Exclusive connection system

Cedec tee system is an exclusive design that enables PE service connection pipe to be directly joined to the saddle, being fastened by means of a floating clamp, that provides highest anchoring strength with minimum assembly effort.

Convenient installation

Compact design of Torre® drilling tool and strap anchoring system, both enable to install Cedec branch tees in restricted access spaces in any vertical, horizontal or inclined position.

Capping off service connections

By loosening the nut and inserting the spatula, repair work can be carried out on the service connection network or tapping can be capped off by inserting a PE plug.

Storage advantages

Saddles and straps alike are supplied in labelled boxes to make handling, storage and identification easier. Each box comes with a brochure including detailed assembly instructions along with an information sheet detailing the range of applications and the size of drilling cutter that should be used.

CEDEC PE Under pressure direct coupling branch tee for PE pipe

Technical data

ELECTROFUSION CEDEC BRANCH TEES

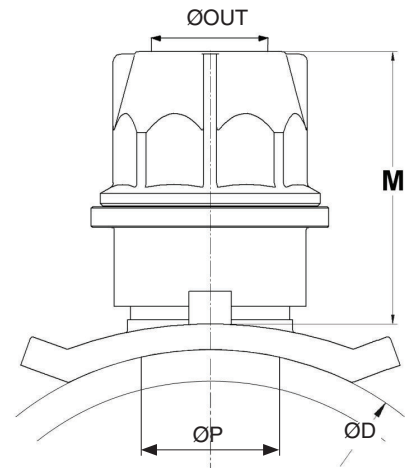
OUTLETS, REFERENCES AND APPLICATION RANGE

ØOUT	ØD	ØP	REFERENCE	M	UTS. / BOX
25	110	23	2348 S 025/110	123	1
25	160	23	2348 S 025/160	123	1
25	225	23	2348 S 025/225	123	1
32	110	23	2348 S 032/110	123	1
32	160	23	2348 S 032/160	123	1
32	225	23	2348 S 032/225	123	1
40	110	37	2348 S 040/110	123	1
40	160	37	2348 S 040/160	123	1
40	225	37	2348 S 040/225	123 <td 1	
50	110	37	2348 S 050/110	123	1
50	160	37	2348 S 050/160	123	1
50	225	37	2348 S 050/225	123	1

COMPONENTS

CLAMP	Brass CW617N (EN 12164)
O-RING HOLDER	Brass CW617N (EN 12164)
O-RINGS	NBR, Rubber (EN 549)
NUT	Brass CW617N (EN 12165)
BODY	Brass CW617N (EN 12165)
SADDLE	PE100 SDR11 (EN 1555-3)
SEAL	EPDM, Rubber (EN 681-1)
SLEEVE	Brass CW617N (EN 12164)

MATERIALS



PE PLUGS

OUTLETS, REFERENCES AND SIZES

ØOUT	REFERENCE	Ød	H
25	2340 B 25	25	50
32	2340 B 32	32	60
40	2340 B 40	40	60
50	2340 B 50	50	70

