

# CEDEC CONNECTOR

Under pressure direct coupling connector

## REFERENCE SPECIFICATIONS

Grid	Water
Highest operating pressure	16 bar
Connection thread	Male thread GAS 1" and 1½"
Outlet pipe material	PE
Outlet outer diameter	Ø25, Ø32, Ø40 and Ø50



### Applications

Connection accessories to be installed on standard collars for convenient under pressure connection, for pressure up to 16 bar in water.

### Drinking water certificated

Torre® connectors are equipped with EPDM joints certified for use with drinking water under WRAS: "Water Regulations Advisory Scheme" and under ACS: "Attestation de Conformité Sanitaire".

### Spatula shut off

To carry out the under pressure connection operation, water flow is interrupted by insertion of a stainless steel spatula supplied with each Cedec equipment.

### Exclusive connection system

Cedec connector system is an exclusive design that enables PE service connection pipe to be directly joined to the connector, being fastened by means of a floating clamp, that provides highest anchoring strength with minimum assembly effort.

### Capping off service connections

By loosening the nut and inserting the spatula, repair work can be carried out on the service connection network or tapping can be capped off by inserting a PE plug.

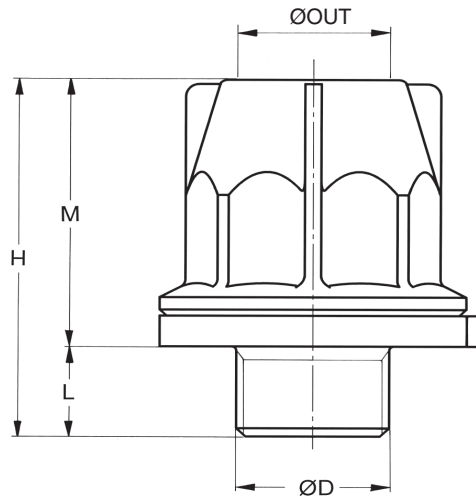
### Storage advantages

Connectors are supplied in labelled boxes to make handling, storage and identification easier. Each box comes with a brochure including detailed assembly instructions along with an information sheet detailing the range of applications and the size of drilling cutter that should be used.

# CEDEC CONNECTOR

Under pressure direct coupling connector

## Technical data



## CEDEC CONNECTORS

### OUTLETS, REFERENCES AND SIZES

ØOUT	REFERENCE	ØD	H	M	L
25	2347 C 25 A	1" gas	87	65	22
32	2347 C 32 A	1" gas	87	65	22
40	2347 C 40 A	1½" gas	93	69	24
50	2347 C 50 A	1½" gas	93	69	24

### COMPONENTS

### MATERIALS

CLAMP	Brass CW617N (EN 12164)
O-RING HOLDER	Brass CW617N (EN 12164)
O-RINGS	NBR, Rubber (EN 549)
NUT	Brass CW617N (EN 12165)
BODY	Brass CW617N (EN 12165)
SEAL	EPDM, Rubber (EN 681-1)