

CEDEC Under pressure direct coupling branch tee

REFERENCE SPECIFICATIONS

Grid	Water
Highest operating pressure	16 bar
Pipe material	Steel, Asbestos cement, Ductile iron, PE and PVC-O
Pipe outer diameter	70 to 355 mm
Outlet pipe material	PE
Outlet outer diameter	25, 32, 40 and 50 mm



Applications

Tees with exclusive connection system for installing PE service branching under pressure on ductile iron and asbestos cement pipes for pressure up to 16 bar in water. These are also used with excellent results on polyethylene and PVC-O pipe networks.

Drinking water certificated

Torre[®] saddles are equipped with EPDM joints certified for use with drinking water under WRAS: "Water Regulations Advisory Scheme" and under ACS: "Attestation de Conformité Sanitaire".

Highest corrosion resistance

Cedec branch tees are electrically insulated preventing galvanic corrosion, consequent to its materials composition. Straps incorporate weld free manufacturing techniques to avoid inter-granular corrosion.

Spatula shut off

To carry out the under pressure connection operation, water flow is interrupted by insertion of a stainless steel spatula supplied with each Cedec equipment.

Exclusive connection system

Cedec tee system is an exclusive design that enables PE service connection pipe to be directly joined to the saddle, being fastened by means of a floating clamp, that provides highest anchoring strength with minimum assembly effort.

Convenient installation

Compact design of Torre[®] drilling tool and strap anchoring system, both enable to install Cedec branch tees in restricted access spaces in any vertical, horizontal or inclined position.

Capping off service connections

By loosening the nut and inserting the spatula, repair work can be carried out on the service connection network or tapping can be capped off by inserting a PE plug.

Storage advantages

Saddles and straps alike are supplied in labelled boxes to make handling, storage and identification easier. Each box comes with a brochure including detailed assembly instructions along with an information sheet detailing the range of applications and the size of drilling cutter that should be used.

CEDEC Under pressure direct coupling branch tee

Technical data

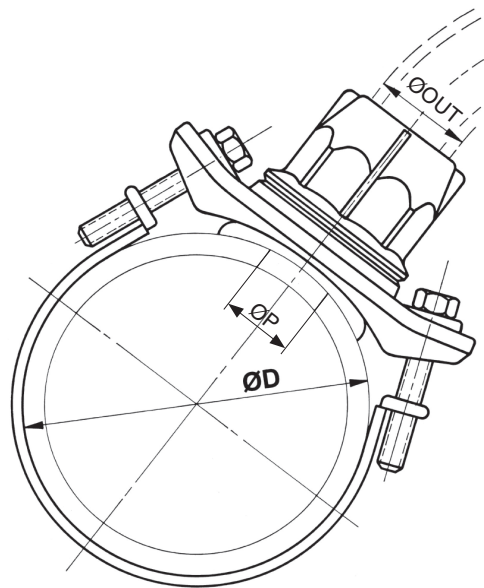
CEDEC BRANCH TEES

OUTLETS, REFERENCES AND APPLICATION RANGE

ØOUT	ØP	REFERENCE	ØD min.	ØD max.	UTS. / BOX
25	24	2347 S 25 A	70	355	10
32	24	2347 S 32 A	70	355	10
40	38	2347 S 40 A	90	355	6
50	38	2347 S 50 A	90	355	6

COMPONENTS MATERIALS

CLAMP	Brass CW617N (EN 12164)
O-RING HOLDER	Brass CW617N (EN 12164)
O-RINGS	NBR, Rubber (EN 549)
NUT	Brass CW617N (EN 12164)
BODY	Brass CW617N (EN 12164)
SADDLE	Ductile Iron GJS-450-10 + Rilsan (EN 1563)
SEAL	EPDM, Rubber (EN 681-1)



STRAPS

SIZES, REFERENCES AND APPLICATION RANGE

SIZE	REFERENCE	ØD min.	ØD max.	UTS. / BOX
60	2330 C 060	70	90	5
80	2330 C 080	90	110	5
100	2330 C 100	110	130	5
125	2330 C 125	130	150	5
150	2330 C 150	160	180	5
175	2330 C 175	190	210	5
200	2330 C 200	220	240	5
225	2330 C 225	250	270	5
250	2330 C 250	270	290	5
300	2330 C 300	315	335	5
300L	2330 C 300L	335	355	5

COMPONENTS MATERIALS

ROTULA	Acetal Resin POM
SCREW	Stainless Steel, AISI304 (EN 10088)
STRAP	Stainless Steel, AISI304 (EN 10088)
RIM	NBR, Rubber

PE PLUGS

OUTLETS, REFERENCES AND SIZES

ØOUT	REFERENCE	Ød	H
25	2340 B 25	25	50
32	2340 B 32	32	60
40	2340 B 40	40	60
50	2340 B 50	50	70

